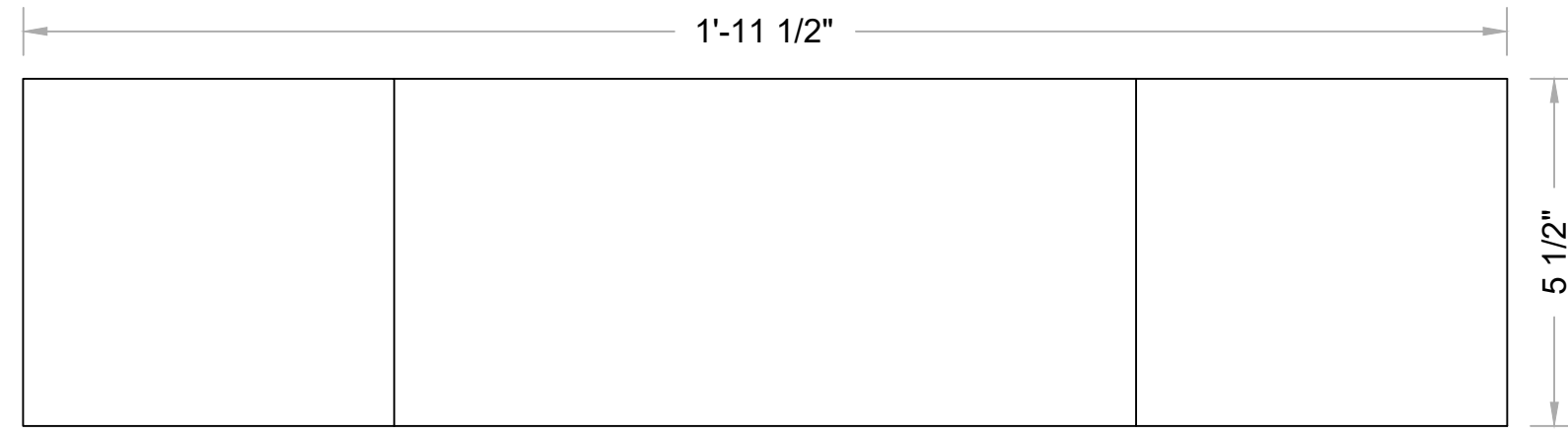


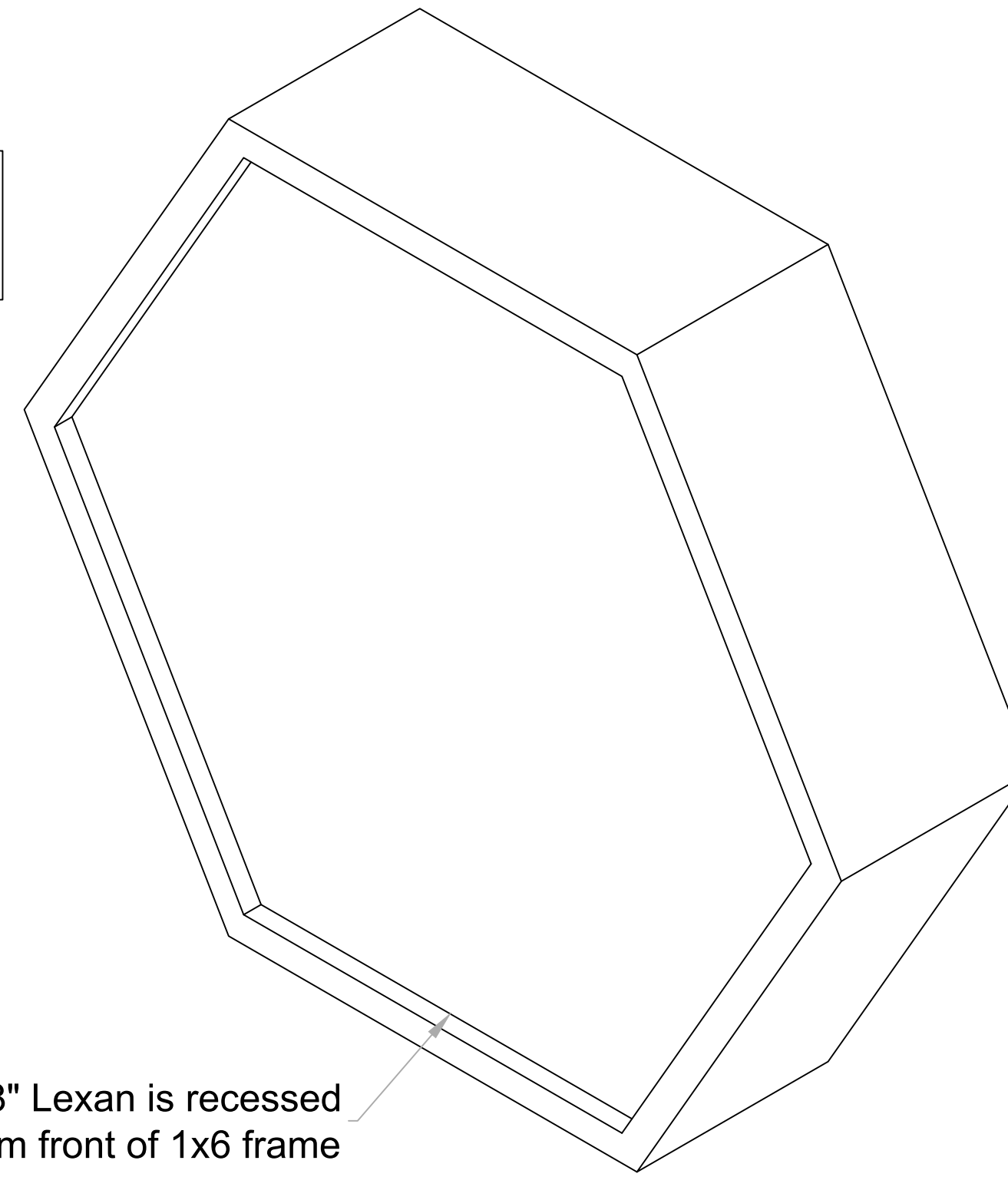
BUILD 5

NOTES
 - LED tape should line the inside of the unit

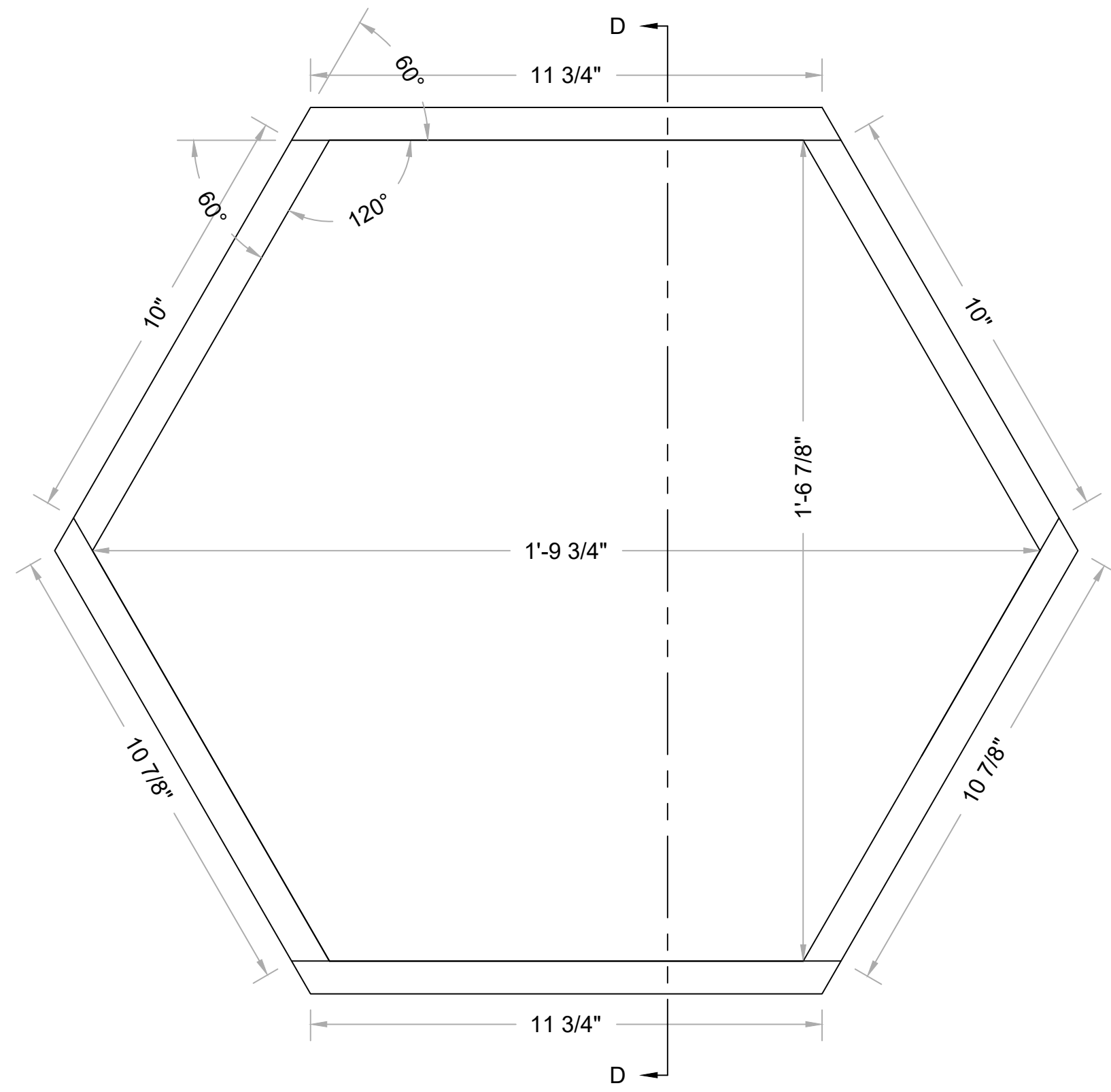
CNC profile is in project folder



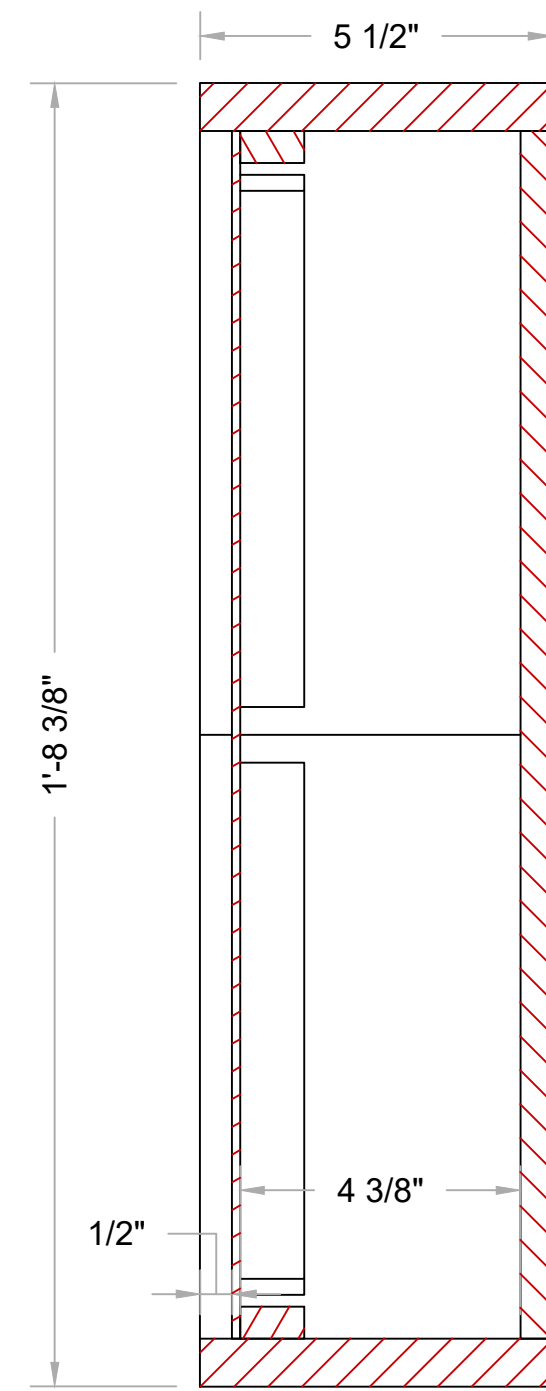
1 TOP
 Scale: 4" = 1'-0"



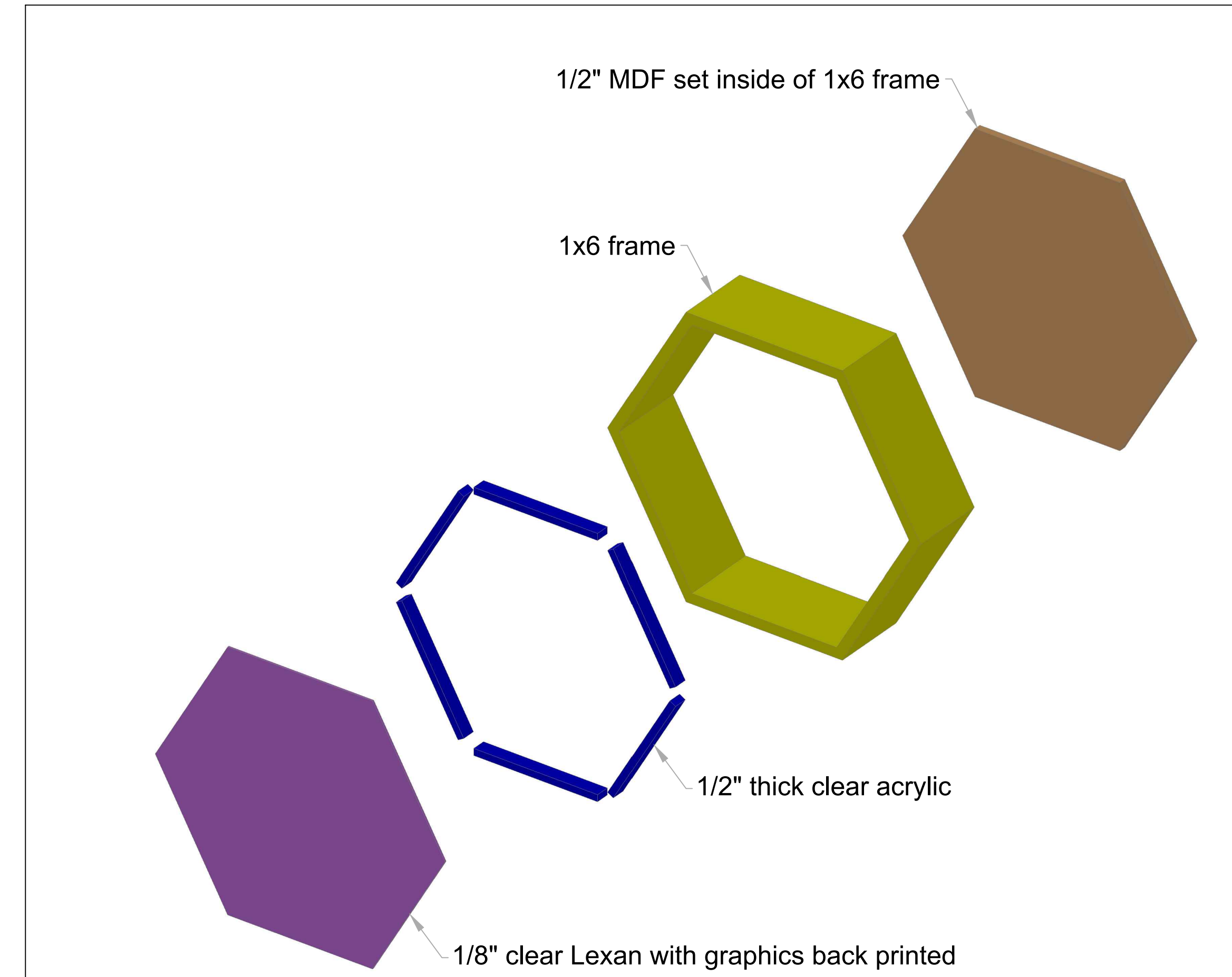
4 FRONT ISO
 Scale: NTS



2 FRONT
 Scale: 4" = 1'-0"



3 SECTION D-D
 Scale: 4" = 1'-0"



5 LIGHT BOX - SEPARATED ISO VIEW
 Scale: NTS