

# BUILD 6

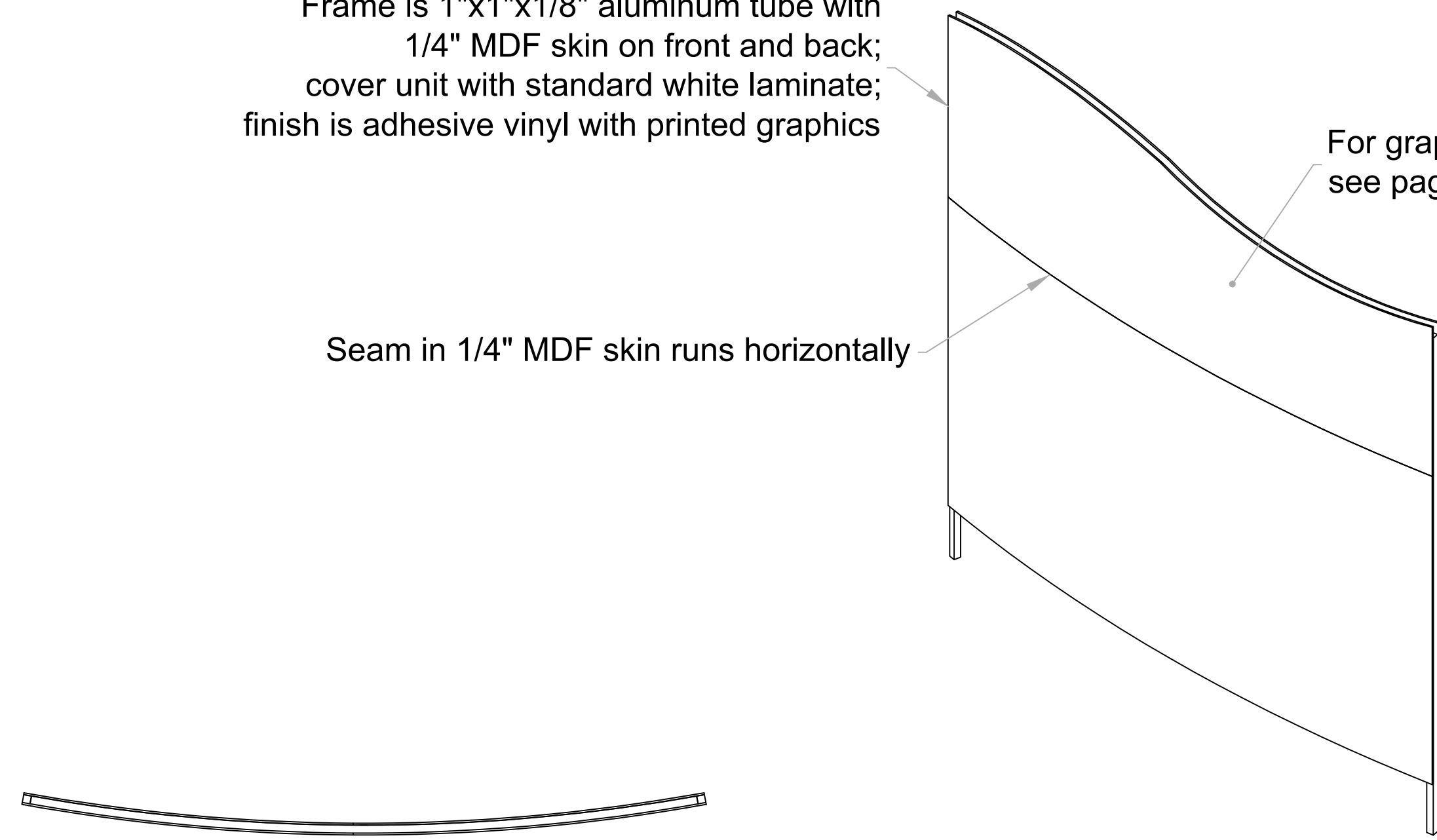
Quantities shown here are for one unit

CNC PROFILE TO COME FROM GRAPHICS DEPT

Frame is 1"x1"x1/8" aluminum tube with 1/4" MDF skin on front and back; cover unit with standard white laminate; finish is adhesive vinyl with printed graphics

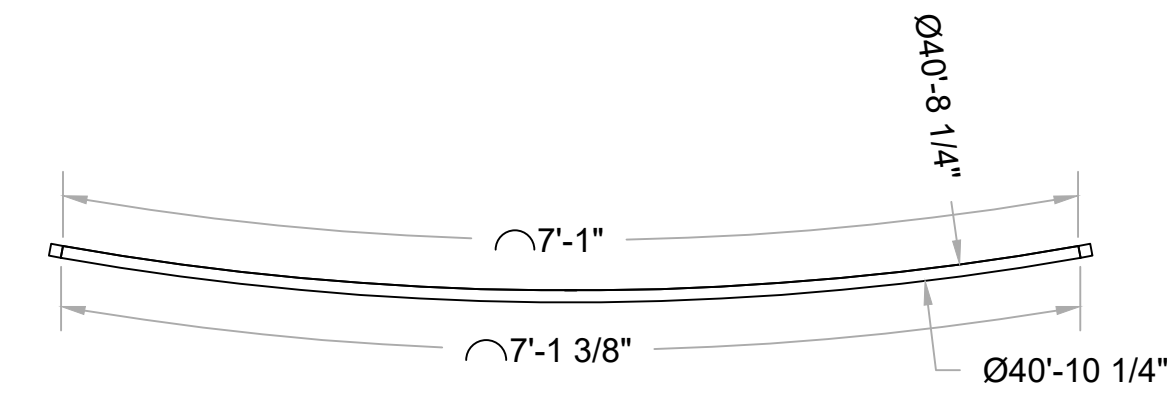
For graphic sizes, see page 5

Seam in 1/4" MDF skin runs horizontally

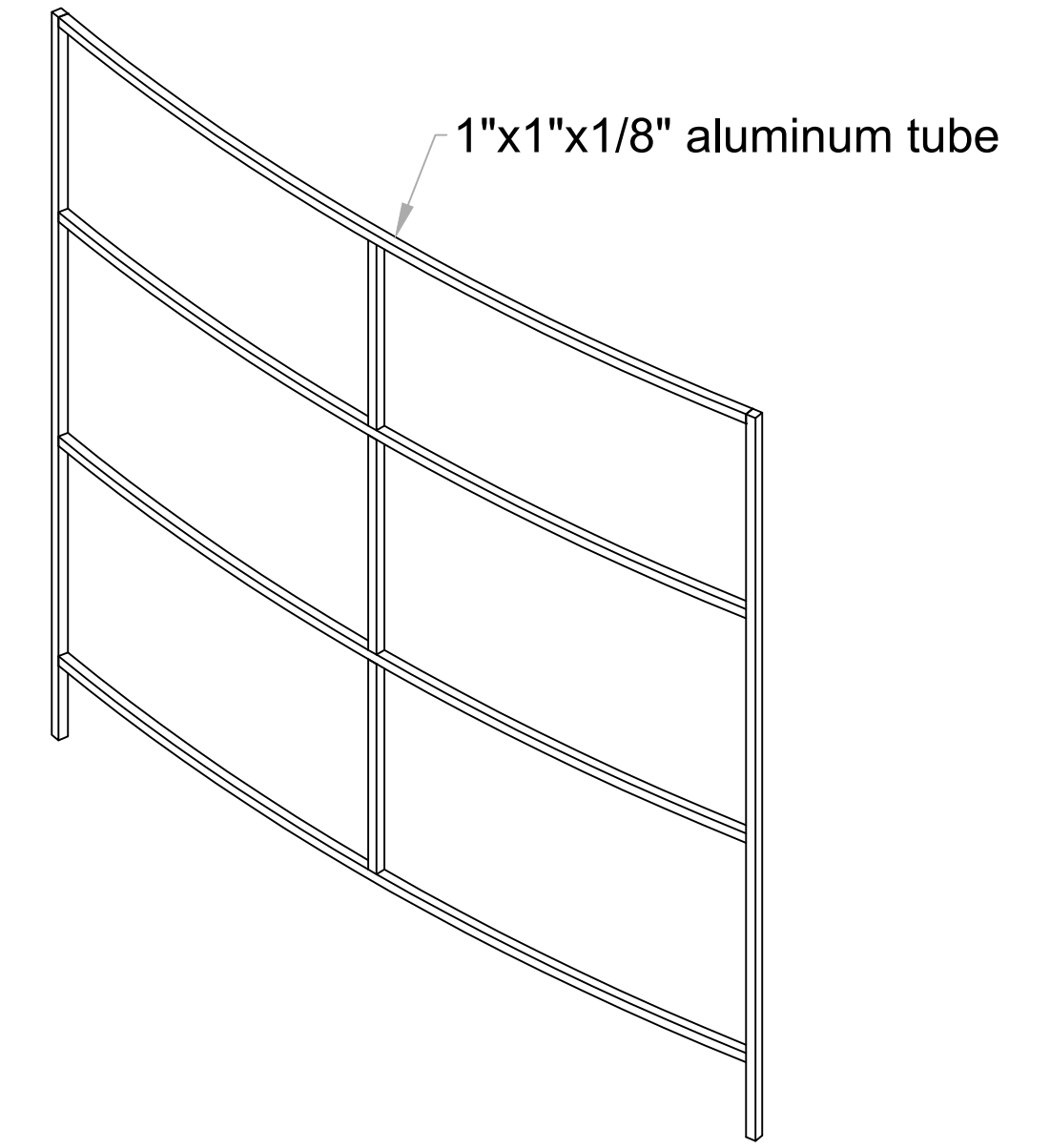


1 TOP  
Scale: 3/4" = 1'-0"

4 FRONT ISO  
Scale: NTS



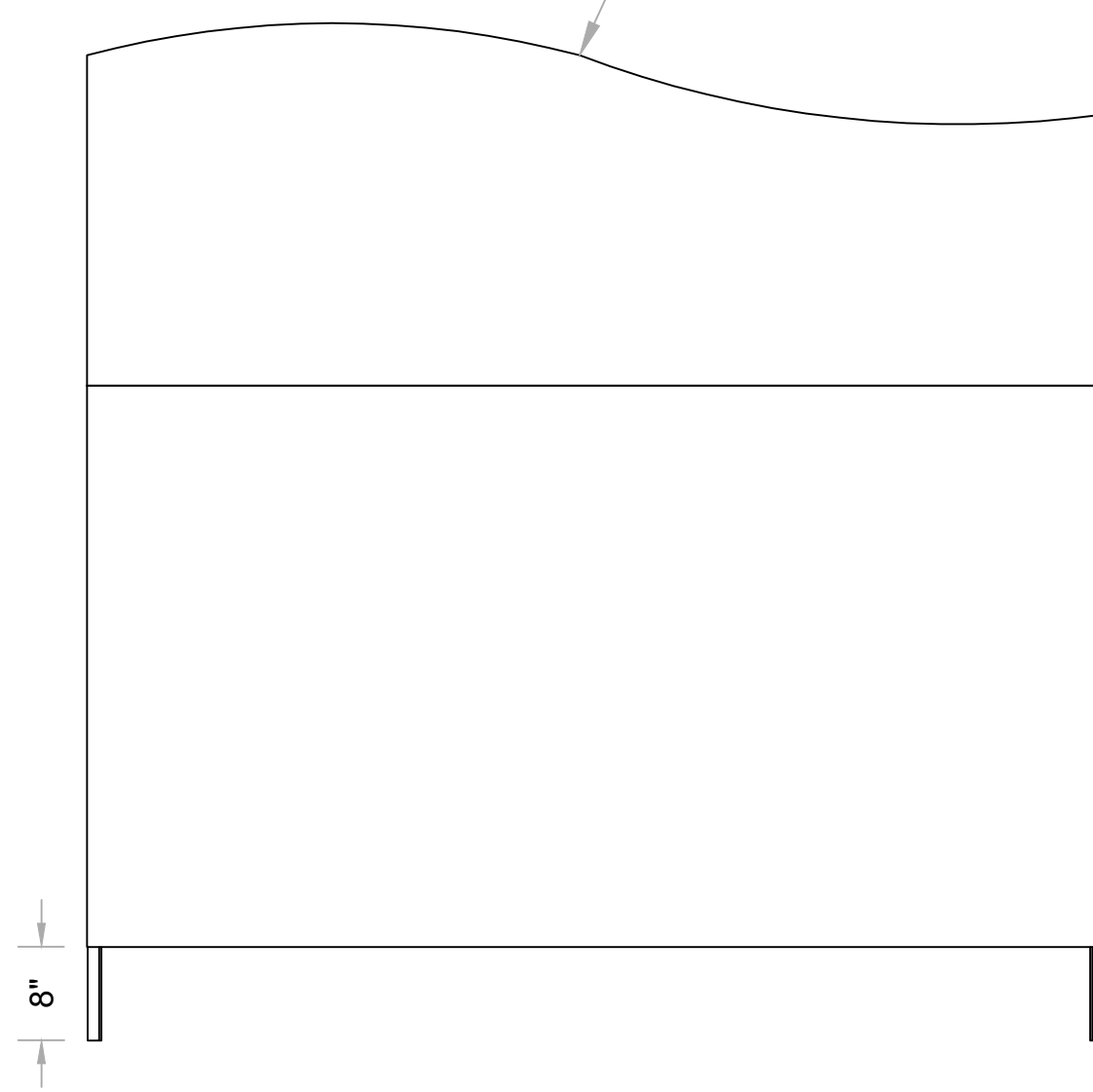
5 TOP  
Scale: 3/4" = 1'-0"



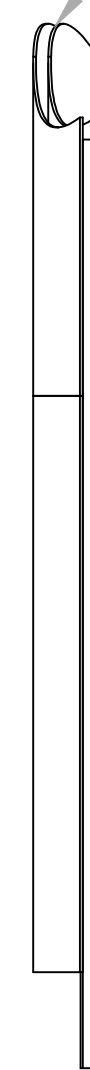
8 FRONT ISO  
Scale: NTS

For skin dimensions, see page 5

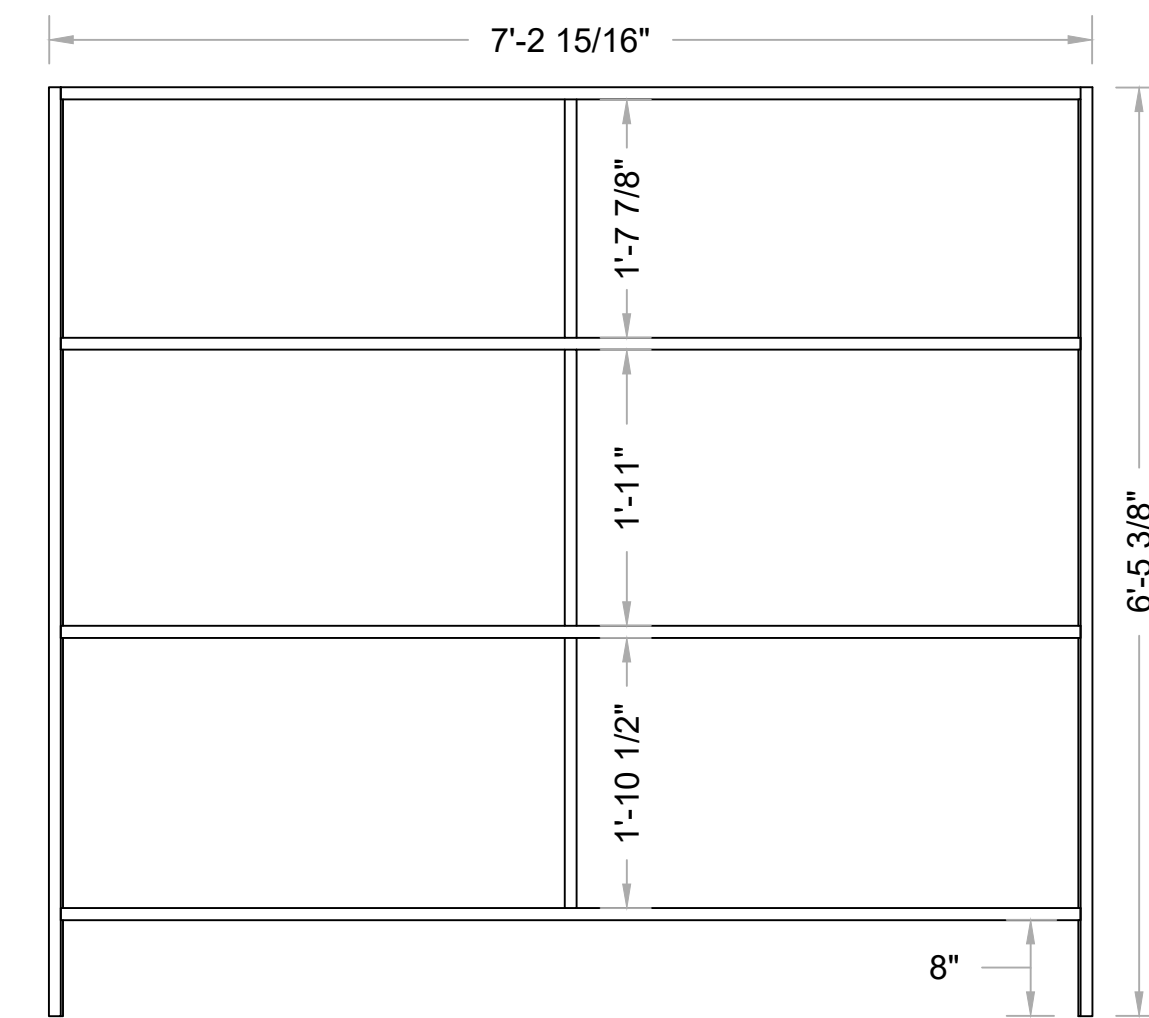
Fill space in between front and back skin with 1" thick foam, carve to fit shape



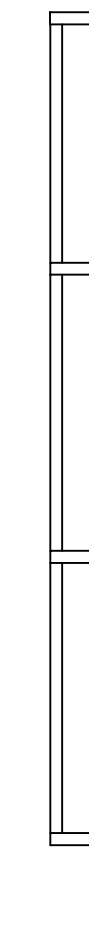
2 FRONT  
Scale: 3/4" = 1'-0"



3 RIGHT  
Scale: 3/4" = 1'-0"



6 FRONT  
Scale: 3/4" = 1'-0"



7 RIGHT  
Scale: 3/4" = 1'-0"